

Rekluse Motor Sports

TCS Clutch Baskets

CRF250R/X

2004 – 2006

Installation Guide

Copyright 2006 Rekluse Motor Sports
TCS Revision 1.000
RMS-4112

195-4112

Manual Revision: 6/23/06

Rekluse Motor Sports, Inc.

110 E. 43rd Street

Boise, Idaho 83714

208-426-0659

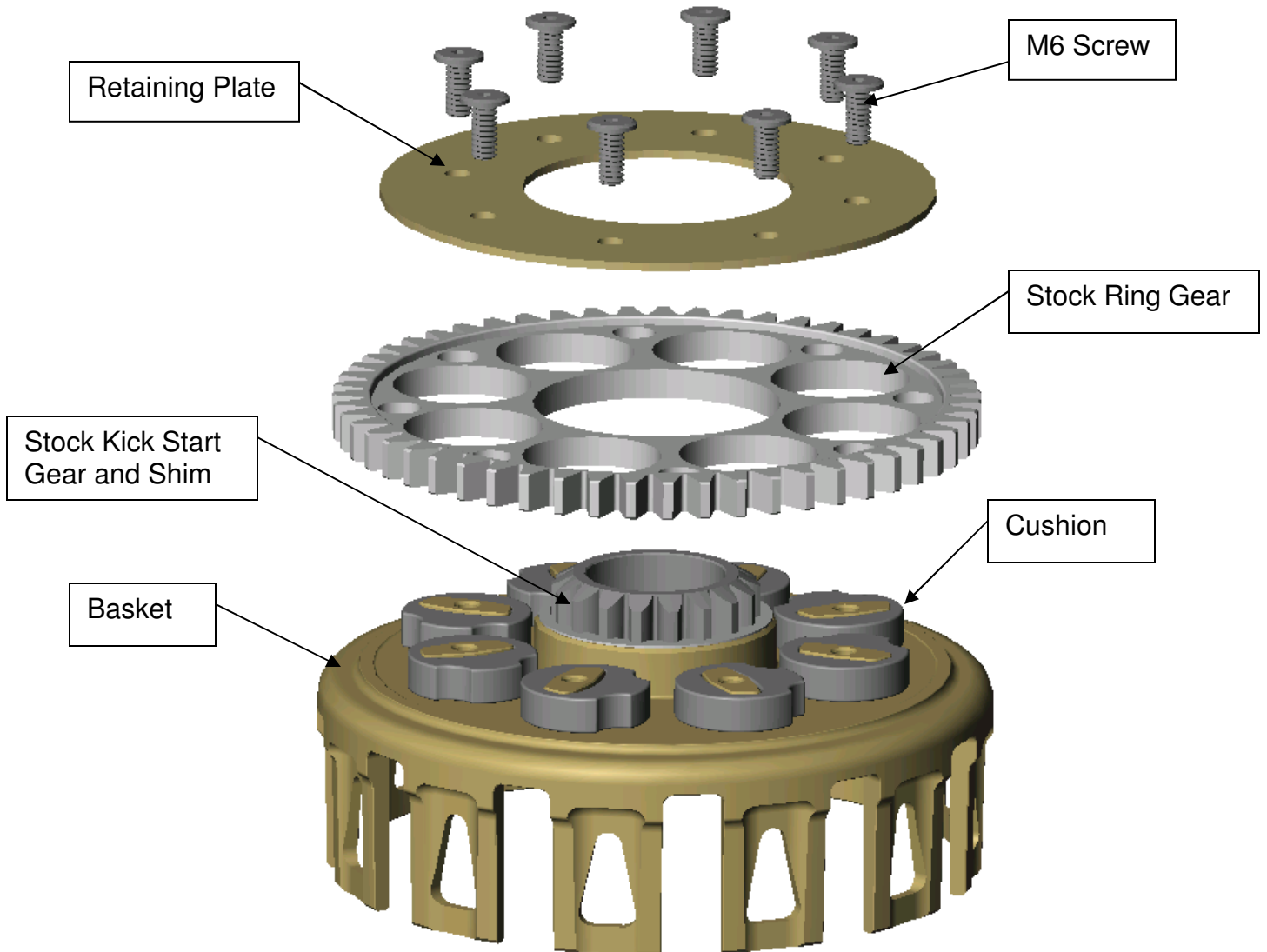
support@rekluse.com

Required Tools To Assemble Basket

1/4-inch Driver

Torque Wrench

Basket Overview



Included Parts

| | |
|------------------------|------------------------------------|
| TCS Clutch Basket Core | 8 – M6 x 1 x 12 Socket Head Screws |
| Retaining Plate | 3mm Hex Bit |

Attention z-Start Users! With your new Rekluse Basket, you will need an updated pressure plate. Part#111-015A found engraved on top of pressure plate. If you did not receive an updated pressure plate please contact Rekluse.

Bike Preparation and Disassembly

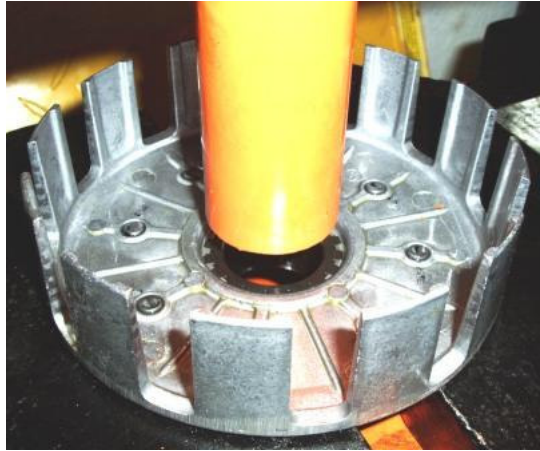
1. Following the procedures in the OEM service manual, remove the existing clutch basket from the engine.
2. Remove the rivets holding the primary ring gear to the OEM aluminum clutch basket. The rivets can be removed by milling, drilling, or grinding the ends off, and pressing them out.

Warning: When removing the OEM rivets, do not damage the steel ring gear as it will be used with your new Rekluse TCS Clutch Basket.



3. Remove all components from the OEM basket, taking note of how everything will be reassembled.

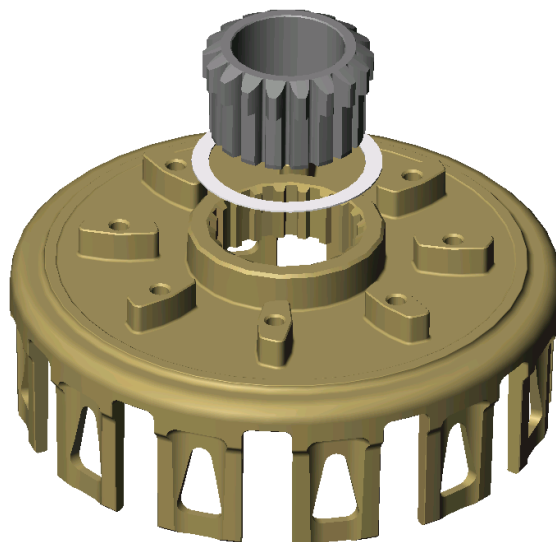
4. Press the kick-starter gear out of the OEM basket.



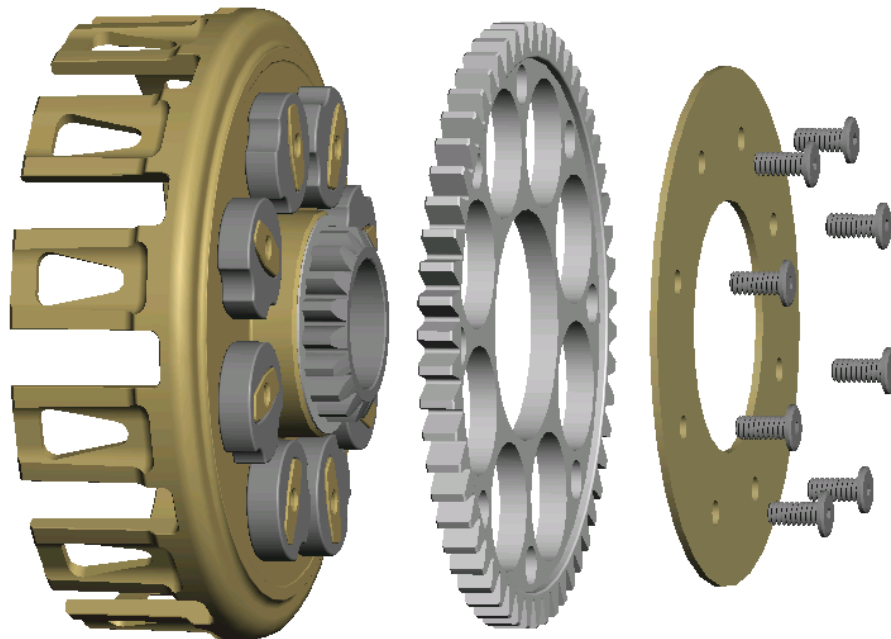
Warning: Do not damage the kick-starter gear during disassembly, as it will be used with your new Rekluse TCS Clutch Basket. Keep the washer on the gear because it will be used during assembly.

Kick-starter gear installation: To get the gear to drop into the new basket easily, place the basket in the oven at 400° F for 15 minutes.

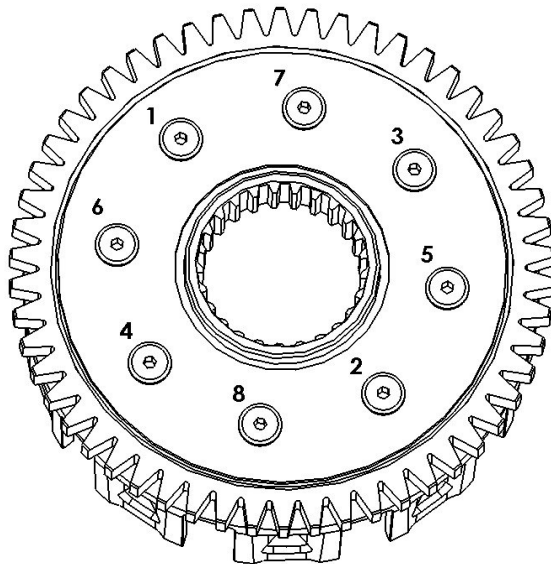
Place the washer on the gear, remove the basket from the oven, and quickly drop the gear into the center hole. Place a weight on the gear to hold it in place as the basket cools completely. **See following picture.**



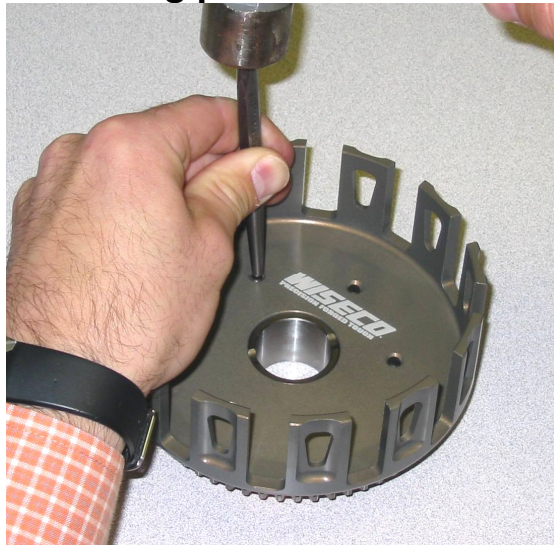
5. Inspect and install the clutch cushions, if there are any signs of cracking, replace with new Rekluse cushions, install OEM gear (recessed side out), and new retainer plate onto the Rekluse TCS Clutch Basket. **See following picture.**



Install the new M6 fasteners into the clutch basket assembly. Tighten to 80 in-lbs (6.6 ft-lbs) in a criss-cross pattern to compress the assembly evenly. **See following picture for tightening sequence.**



6. Using a hammer and punch, peen over the ends of the screws where they come through the bottom-inside of the clutch basket. **See following picture.**



7. Install the new clutch basket assembly into the engine following the procedures in the OEM service manual.
8. For z-Start installation, refer to the z-Start Installation Guide that was included with the z-Start Clutch. For re-installing your stock clutch follow the procedures in the OEM service manual.