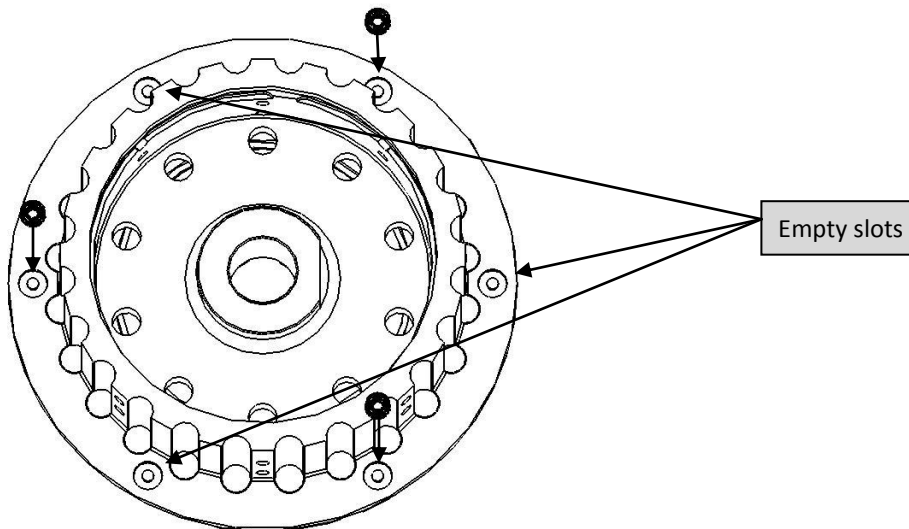


Anti-Squeal Kit for Rekluse z-Start Pro Models RMS 830A, 832, 836, 837, 838A, 864

This anti-squeal kit helps minimize clutch squeal/chatter as the clutch engages. Generally clutch squeal does not cause any problems, but can be annoying to the rider. If you choose to install it, follow these instructions along with the instructions included with your z-Start Pro.

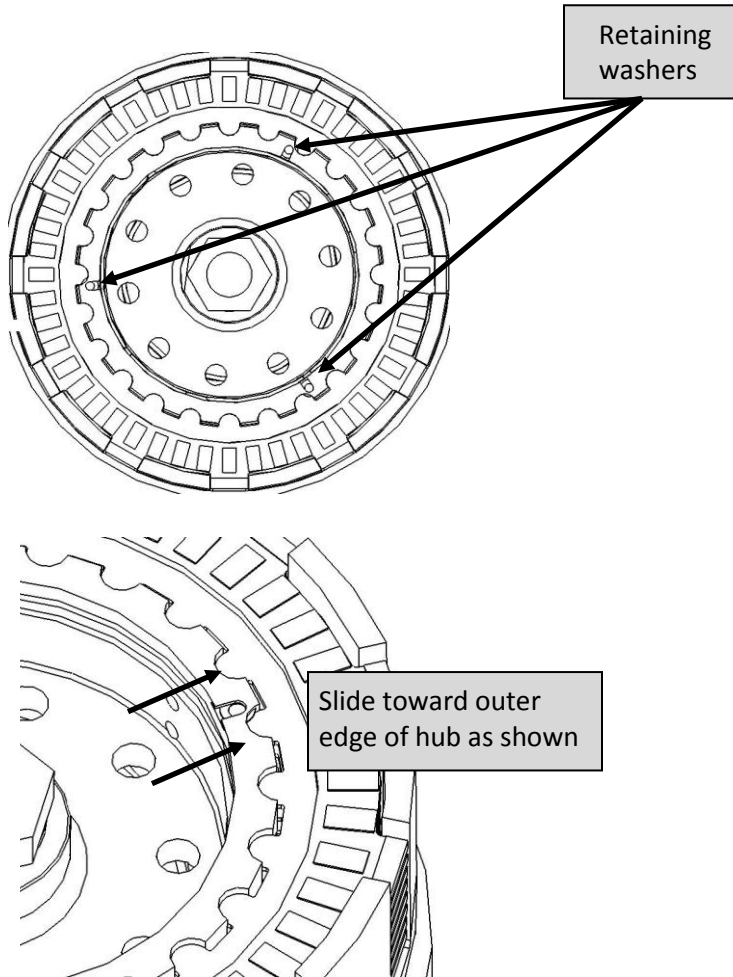
If you are in the process of installing the z-Start Pro skip to step 7.

1. Shut off fuel at petcock. Lay bike on left side. **CAUTION:** fuel may drain from carburetor; place a suitable container beneath bike to catch fuel to prevent fire hazard.
2. Remove clutch cover.
3. Remove torx screws from Rekluse top plate.
4. Remove Rekluse pressure plate.
5. Remove clutch pack.
6. Remove lower assembly.
7. Install 3 supplied x-rings as shown below, leaving one empty pocket between each x-ring. Ensure that the x-ring is fully seated into the pocket. There are six pockets: 3 will have x-rings and 3 will not.



8. Re-install clutch pack per z-Start Pro manual.
9. The included 3 small Belleville washers act as retaining clips to prevent the top most steel clutch plate from lifting too high and coming un-indexed from the center clutch. The Belleville washers need to be installed concave side up into the 3 slots on top of the ring of the center clutch.

10. Start the washers by hand, then use a small screwdriver or pick to slide the 3 retaining washers out to limit top drive plate travel. Ensure the washers are completely seated against the end of the slot.
WARNING: if washers are not fully seated, clutch damage will occur. See diagrams below.



11. Re-install Rekluse lower assembly according to z-Start Pro Manual. It will not install unless the Belleville washers are seated all the way out.
 12. Re-install Rekluse pressure plate, with balls, and top plate according to the instructions in your z-Start Pro manual.
 13. Using the included 0.040" No-go wire gauges, check Installed Gap according to the instructions in your z-Start Pro manual, and adjust if necessary. **The .050" thick wire gauges cannot be used for checking the installed gap with the anti squeal kit, or clutch damage will occur.**

NOTE:

Included in the **730-832, 730-836, and 730-864** kits is one .040" Rekluse steel drive plate. This thinner plate is to be used if the clutch drags excessively from the installed gap being too tight from the anti squeal x-rings. If the gap is too tight, swap the .040" plate for a .048" plate in the original z-Start Pro drive plate stack.

Included in the **730-838** kit is one .030" Rekluse steel drive plate. This thinner plate is to be used if the clutch drags excessively from the installed gap being too tight from the anti squeal x-rings. If the gap is too tight, swap in the .030" plate for a .040" plate in the original z-Start Pro drive plate stack.